



powering **marine** safety

BUKH G300

BUKH SOLAS MARINE DIESEL ENGINE G7 SERIES - 300 HP (221 KW)

6.8 LITER COMMERCIAL ENGINE

Solenoid controlled common rail injection system delivers 300PS and 120.3 kg·m of torque from the 6.8 liter in-line 6 cylinder engine.

The broad flat torque curve proves world-class diesel development and beats performance of competition models.

Economy is assured by the state-of-the-art fuel management system featuring Common Rail Direct Injection (CRDI). The electronic engine control system makes the engine lighter, quieter and more fuel efficient with excellent compact dimensions.



TECHNICAL DESCRIPTION:

ENGINE

- 6 cylinder in-line, 24 valve OHC
- Compacted Graphic Iron block and head
- Gallery oil-cooled long lasting mono steel pistons
- Integrated water jacket
- Single serpentine belt system
- Drive belt auto tensioner

AIR INLET SYSTEM

- Reusable air filter

FUEL SYSTEM

- Common Rail Direct Injection (CRDI)
- Solenoid injector with 2,000 bar
- Gear-driven fuel pump
- Electronically controlled injection timing
- Fine fuel filter and water separator

ENGINE MOUNTING

- Adjustable engine mounts (Optional)

ELECTRICAL SYSTEM

- 24 volt - 70A alternator
- Auxiliary engine stop button
- Air heating system for a trouble-free cold start
- NMEA2000 converter (Optional)

COOLING SYSTEM

- Gear-driven seawater pump
- Seawater-cooled intercooler, heat exchanger
- Auxiliary connector for cabin heating
- Corrosion resistant material for seawater circuit
- Easily accessible seawater impeller pump

LUBRICATION SYSTEM

- Easily exchangeable oil filter cartridge
- Integrated oil-cooler in cylinder block
- Closed system with forced feeding
- Eco type oil filter
- Electric oil extraction pump
- Gear drive engine oil pump

ENGINE OPERATING INDICATOR (EOI)

- Engine self-protection and diagnosis
- Displays CAN information
- Displays engine diagnostic error codes
- Audible alarm and control lamps
- Idle & PTO rpm adjustable switch

EXHAUST SYSTEM

- Aluminium exhaust pipe
- E-WGT (Electric Waste Gate Turbocharger)

EMISSIONS

- IMO Tier II
- RCD II
-

TYPE APPROVAL OPTIONS

- EIAPP
- RINA

As BUKH is always endeavouring to improve the engines, specifications mentioned are subject to alterations without previous notice.

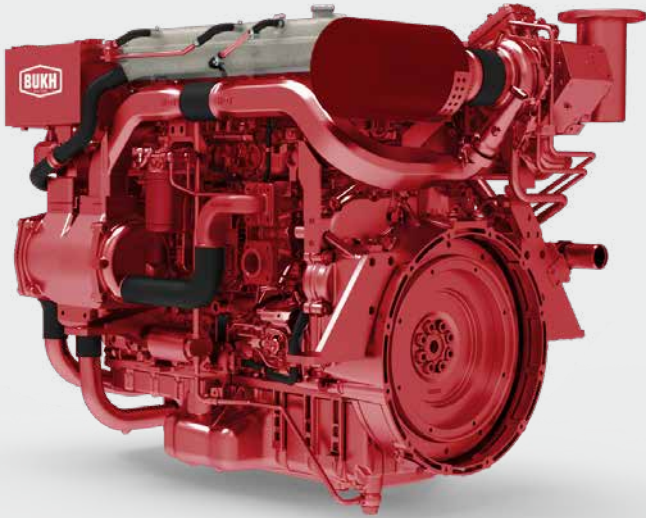
BUKH G300

BUKH SOLAS MARINE DIESEL ENGINE



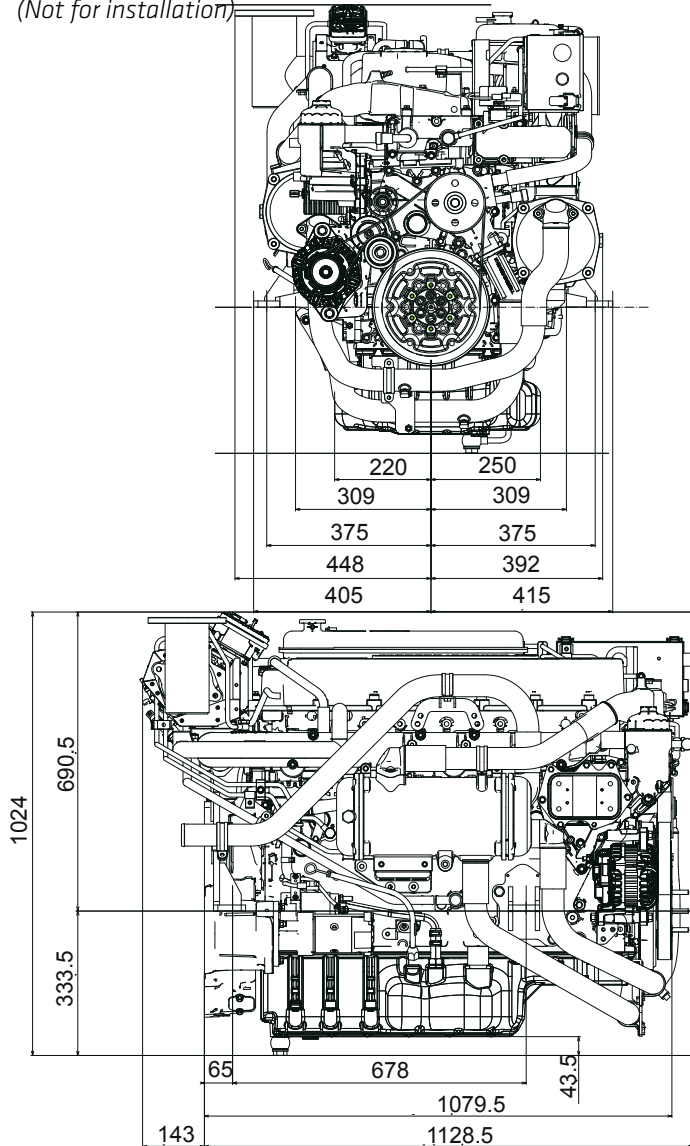
Specifications G300

Propulsion System	Shaftdrive, Waterjet, Surfacedrive
Engine Duty Rating	Heavy Duty (S1)
Configuration	4-Stroke, 24-Valve DOHC, E-VGT with intercooler, water cooling
Output [PS (kW)]	300 (221)
Rated RPM	2,500
Cylinders	In-line 6
Displacement [cc]	6,798
Bore X Stroke [mm]	107 X 126
Compression Ratio	17.5 : 1
Max. Torque	120.3 kg·m @ 1,600 rpm
Injection System	Common Rail Direct injection (CRDi) Solenoid Injector
Alternator	24V-90A
Engine Diagnosis	YES
Max Fuel Consumption [l/h]	69.2
Dry Weight [kg]	686
Flywheel	SAE 11-1/2
Flywheel Housing	SAE 2

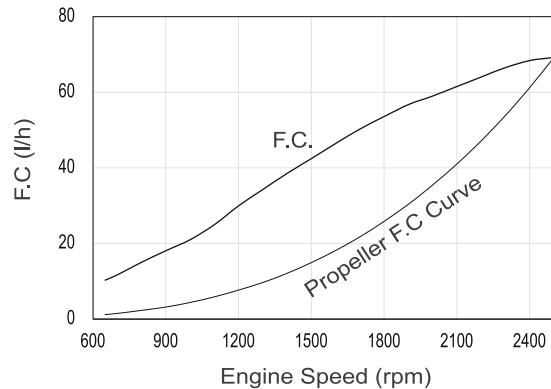
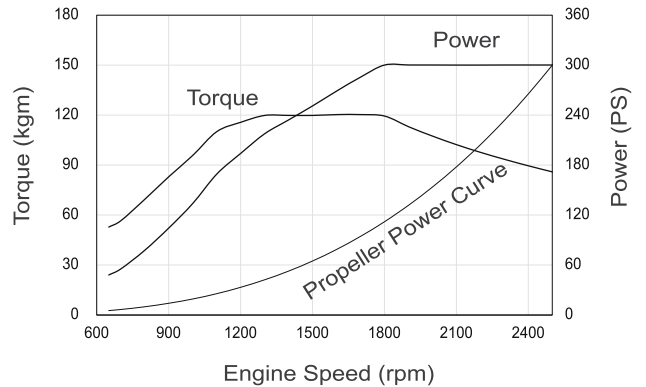


Dimensions G300

(Not for installation)



Performance Curves



SOLAS approved by Det Norske Veritas
Notified Body: No. 0575